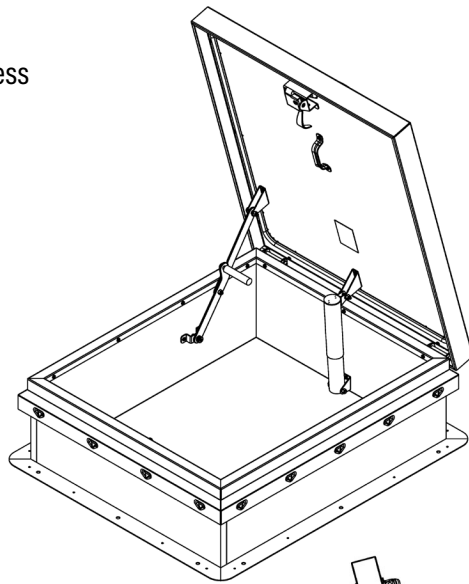
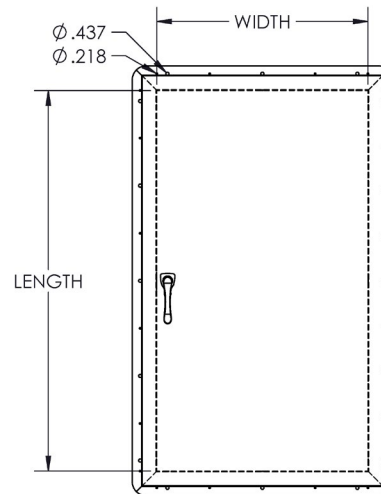
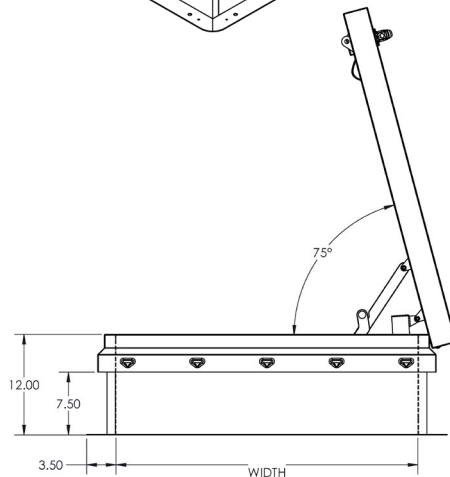
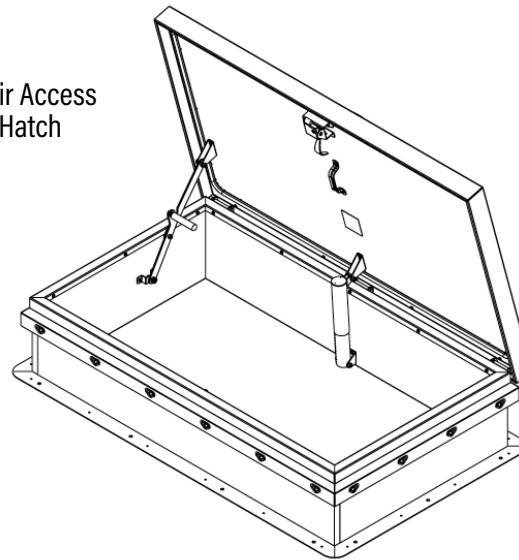


# ROOF HATCH- Diamond Series™ RHDA Aluminum

Ladder Access Hatch



Stair Access Hatch



## SPECIFICATIONS:

- (1) Curb: Single wall curb and counterflashing with Diamond Grip to secure roof membrane without tools.
  - 11 gauge aluminum, mill finish
- (2) Cover: Formed and welded with liner, tested to support a live load of 40psf.
  - 11 gauge with 18 gauge liner aluminum, mill finish
- (3) Gasket: Continuous, weatherproof EPDM sponge rubber adhesive-backed seal.
- (4) Insulation: 1" polyisocyanurate in curb and cover with thermal resistance R-6.
- (5) Spring: Counterbalanced compression springs contained in clear zinc-plated steel cylinders.
- (6) Latch: Clear zinc-plated steel slam latch with inside and outside handles and padlock hasps. Tested to 50psf wind uplift.
- (7) Hold Open Arm: Clear zinc-plated automatic locking hold open arm with red vinyl grip for one handed door operation.
- (8) Hinge: Heavy duty clear zinc-plated steel pintle hinge.

Notes: For pitched roofs up to 7:12, mount hinge side parallel to slope. Door opens 75°.

Min Size: 24" X 24" | Max Size: 48" X 96"

Diamond Series™ is a trademark of Activar Construction Products Group, Inc.

QTY	SIZE W x L	ALUMINUM	TYPE
	36" x 30"	RHDA-1	LADDER
	30" x 54"	RHDA-2	STAIR
	30" x 96"	RHDA-3	STAIR
	36" x 36"	RHDA-4	LADDER
	48" x 48"	RHDA-5	LADDER
	32" x 72"	RHDA-6	STAIR
	37" x 30"	RHDA-7	LADDER
		ALUMINUM	

Custom sizes available - enter size above

## FEATURES AT ADDITIONAL COST:

- White Textured Finish (WT)
- R-9, 1.5 Polyiso Curb (IP)
- Curb Double Wall (CD)
- Gray Textured Finish (GT)
- 3/4" Wood Nailer (IW)
- Curb Heights from 13" to 22" (H13-H22)
- Stainless Hardware (SS)
- Red Textured Finish (RT)
- 1" Fiberboard (IF)
- Stainless 316 Hinge Pin (SP)
- Fluoropolymer Finish with 10 Year Warranty (Use Color Code)
- Fluoropolymer Finish with 20 Year Warranty (Use Color Code)
- Bronze Textured Finish (BT)



9702 Newton Ave S. Bloomington, MN 55431 | Many Locations Nationwide

800-554-6077 952-835-2218 sales@activarcpg.com www.activarcpg.com

Distributor:		Project:
Contractor:		Approved By:
Date:	Quantity:	Architect:
Scale: N/A	Pages: 1 of 1	Drawing #: